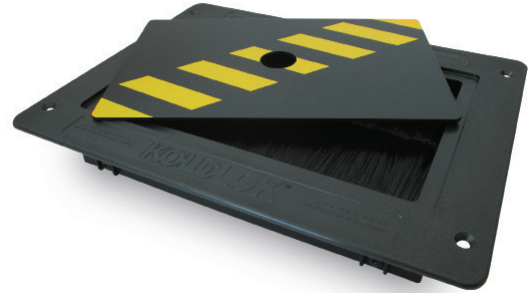


KoldLok® 1010/4040 Cover with Safety Stripe

Part Number
10187



Applications

Designed to seal KoldLok 1010/4040 Grommet openings while cables are waiting to be installed.

Features

- Tool-less design and center cut out hole allows for easy installation and removal
- Double sided for a reversible application; one side features a caution stripe to increase visibility and encourage safety while the other side features a black surface for less visibility
- Durable powder-coated finish allows the cover to be re-used for future applications

Benefits

- Easy to install and remove
- Double sided design
- Reusable
- Promotes safety and decreases accidents from occurring

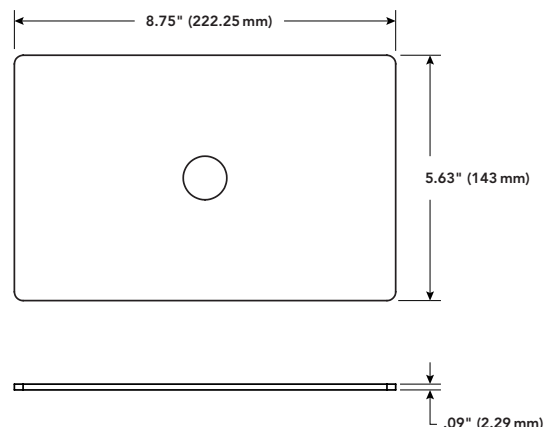
Safety Features

Bright yellow and black stripe promotes safety and brings attention to all data center personal to proceed with caution

Part Number	Description	Dimensions	Quantity per Carton	Shipping Weight
10187	1010/4040 Cover with Safety Stripe	8.75" x 5.63" x .09" (222.25 mm x 143 mm x 2.29 mm)	10	5.6 lbs.

Floor Mounting System

Lays on top of the inner frame lip of a 1010 or 4040 grommet without the use of any tools



KOLDLOK®



KoldLok® 5050 Cover with Safety Stripe

Part Number
10191

Applications

Designed to seal KoldLok 5050 Grommet openings while cables are waiting to be installed.

Features

- Tool-less design and center cut out hole allows for easy installation and removal
- Double sided for a reversible application; one side features a caution stripe to increase visibility and encourage safety while the other side features a black surface for less visibility
- Durable powder-coated finish allows the cover to be re-used for future applications



Benefits

- Easy to install and remove
- Double sided design
- Reusable
- Promotes safety and decreases accidents from occurring

Safety Features

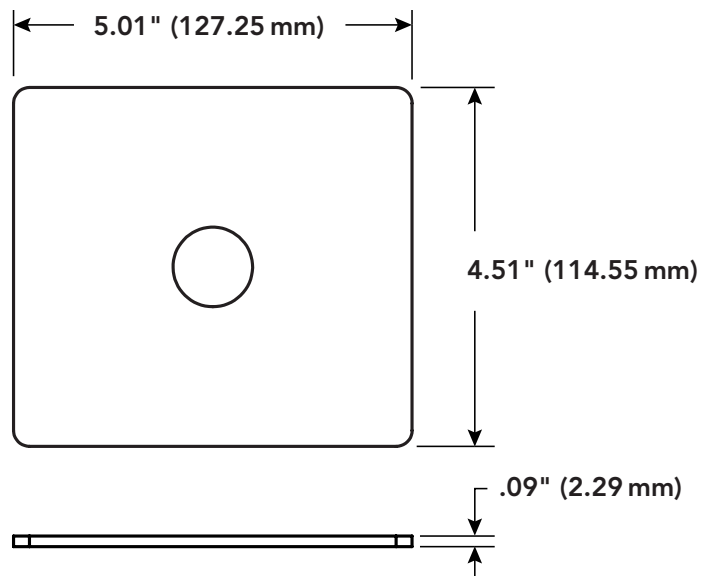
Bright yellow and black stripe promotes safety and brings attention to all data center personal to proceed with caution

Specifications

Part Number	Description	Dimensions	Quantity per Carton	Shipping Weight
10191	5050 Cover with Safety Stripe	5.01" x 4.51" x .09" (127.25mm x 114.55mm x 2.29mm)	10	4.6 lbs.

Floor Mounting System

Lays on top of the inner frame lip of a 5050 grommet without the use of any tools



Designer and Manufacturer
888.982.7800
www.upsite.com