

KOLDLOK®

Installation Guide

KoldLok® Round Floor Grommets

Part Numbers:

40001 KoldLok Round 4" Round Floor Grommet

40003 KoldLok Round 6" Round Floor Grommet



KoldLok Round 4" Floor Grommet
Part No. 40001



KoldLok Round 6" Floor Grommet
Part No. 40003

Table of Contents

Preparation Required for Installation	Page 2
Installation Procedures	Page 3
Warranty	Page 4

Both cartons contain the following items:

- KoldLok® Round Grommets (10)
- Self-Drilling #8 Screws (40)
- Installation Guide (1)

Installation Guide

KoldLok® Round 4" & 6" Floor Grommets

Tools & Preparation Required for Installation

Tools Required:

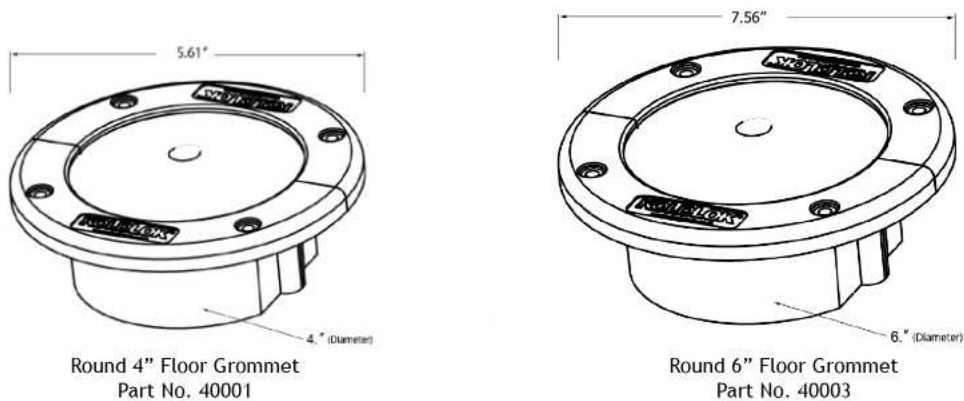
- Phillips head screwdriver or drill
- Cutting tool (per floor tile manufacturer recommendations)
- Tape measure

Dimensions & Tile Cutting Requirements	Inches (W x D)	Millimeters (W x D)
Part No. 40001 - Overall Size (diameter x height)	5.61" x 1.9"	143 mm x 48 mm
Product height above the raised floor	.4"	10 mm
Maximum cutout size sealed	4.125"	105 mm
Usable area	9.6 sq inch	244 mm
Hole cut diameter	4"	102 mm
Part No. 40003 - Overall size (diameter x height)	7.56" x 1.9"	192 x 48 mm
Product height above the raised floor	.4"	10 mm
Maximum cutout size sealed	6.125"	156 mm
Usable cable area	22.55 sq. inch	573 mm
Hole cut diameter	6"	152 mm

Cutting Raised Floor Tiles:

Each raised floor tile manufacturer provides instructions to properly and safely modify their products. Installers must be familiar with and observe tile manufacturer's recommendations with regard to applicable tools, cutting procedures, the design load capacity of the cut tile, and any additional under-floor support requirements for cut raised floor tiles.

Product Drawings:

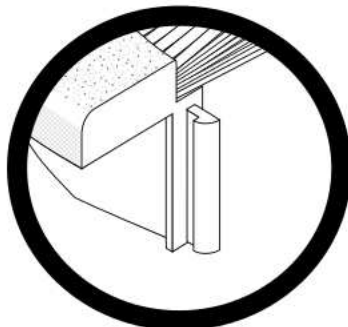


Installation Guide

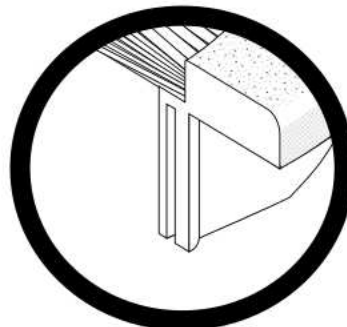
KoldLok® Round 4" & 6" Floor Grommets

Installation Procedures - Installation on the Tile Interior

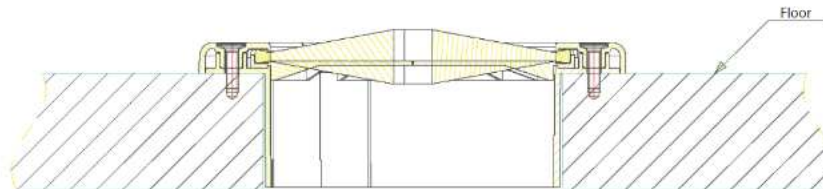
1. a.) To install a Round 4" Floor Grommet: cut a 4" - 4 1/8" (102 mm - 105 mm) diameter hole in the floor tile.
b.) To install a Round 6" Floor Grommet: cut a 6" - 6 1/8" (152 mm - 156 mm) diameter hole in the floor tile.
2. Ensure that any burrs that resulted from cutting the floor tile have been removed. (It is not necessary to dress the cutout when installing a KoldLok Round grommet. The grommet dresses the edge satisfying NFPA requirements).
3. Test fit the KoldLok Round 4" or 6" grommet to the floor tile. Ensure there is no binding and that the grommet flange rests on the tile all the way around. Center the grommet in the hole and carefully mark the center of each of the four mounting holes.
4. After test fitting the KoldLok Round 4" or 6" grommet, separate the unit at the seam by sliding the female section up and off the male section.
5. Place the male section (tapered pin) on the back side of the opening. Fasten the section to the floor tile using two of the self-drilling screws provided. Do not over-torque the screws.
6. Align the female section (tapered hole) with the male section (tapered pin). Slide the female section down until both halves are even with each other. Fasten the female section to the floor tile using the two remaining self-drilling screws. Do not over-torque the screws.



male section



female section



Limited Warranty

KoldLok® Round 4” & 6” Floor Grommets

Upsite Technologies, Inc. (the *Company*) warrants to the original purchaser that products delivered hereunder will be free of defects in materials and workmanship for a period of twelve (12) months from the date of purchase (the “Warranty Period”).

The *Company* shall, at its option, within the Warranty Period, either repair or replace free of charge, any product or part thereof found, upon the *Company’s* inspection, to be defective in materials and workmanship, and will return the repaired or replaced product to the purchaser at *Company’s* expense.

For warranty service and shipping instructions, contact the *Company* at the telephone number shown below. If the product is under warranty and the defect appears to be covered by this Limited Warranty, the *Company* will issue to the purchaser a Notice of Authorization For Warranty Return. Products returned to the *Company* for warranty service must be accompanied by a statement of defect, the Notice of Authorization for Warranty Return provided by the *Company*, and proof of purchase.

This Limited Warranty is conditioned on the following:

1. The *Company* must be notified within 12 months of purchase and have been given the opportunity of inspection by return of any alleged defective product free and clear of all liens and encumbrances to the *Company* or its manufacturer; and
2. The product must not have been abused, misused, or improperly maintained, and/or repaired during such period; and
3. Such defect has not been caused by corrosion or exposure to other than ordinary wear and tear.
4. The installation and use of the product has been in accordance with the manufacturer’s instructions and has not been modified or customized to include but not limited to cut, resized, burned, glued, bent, re-shaped, disassembled, attachments added to, improperly installed or used in a manner other than intended.

The company makes no other express or implied warranty or representation of any kind whatsoever including any warranty of merchantability or fitness for a particular purpose and all such other warranties are hereby included.

The *Company’s* maximum liability hereunder is limited to the purchase price of the product. In no event shall the *Company* be liable for any consequential, indirect, incidental, or special damages of any nature arising from the sale or use of the product, whether based in contract, tort, strict liability, or otherwise.

Note: Some jurisdictions do not allow limitations on incidental or consequential damages or how long an implied warranty lasts, so that the above limitations may not fully apply. This warranty gives specific legal rights and you may also have other rights which may vary from jurisdiction to jurisdiction.

For complete warranty and repair information Call (888) 982-7800 or visit upsite.com

US Patent No. RE41863.